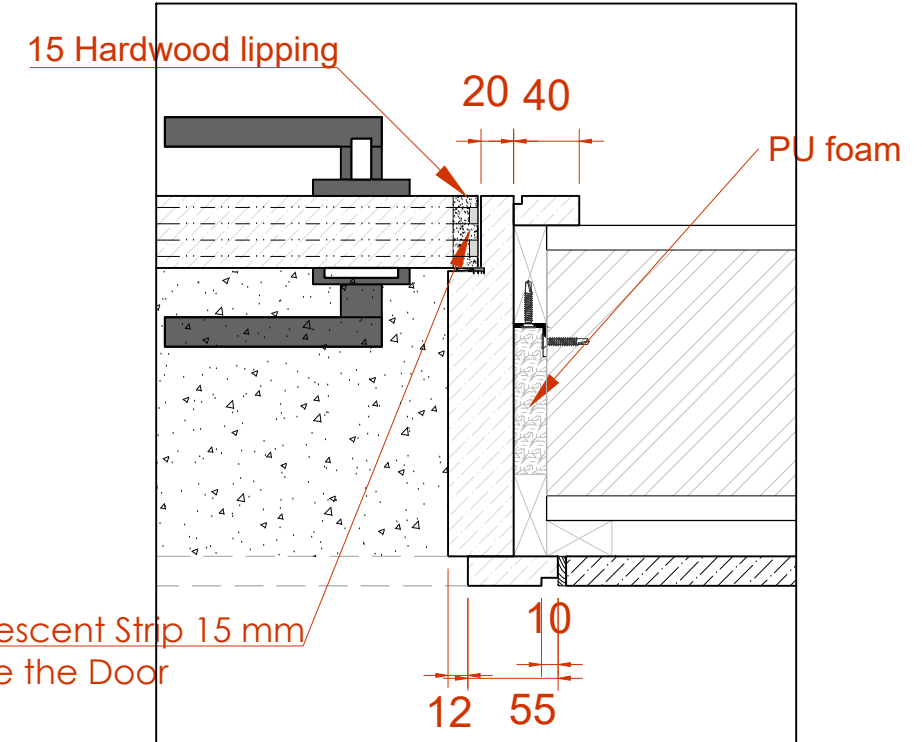
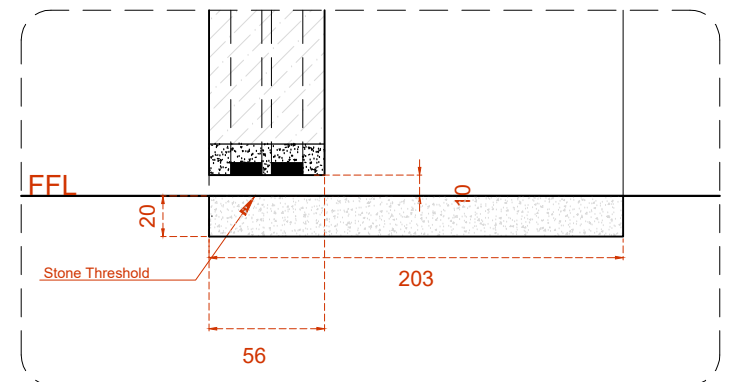
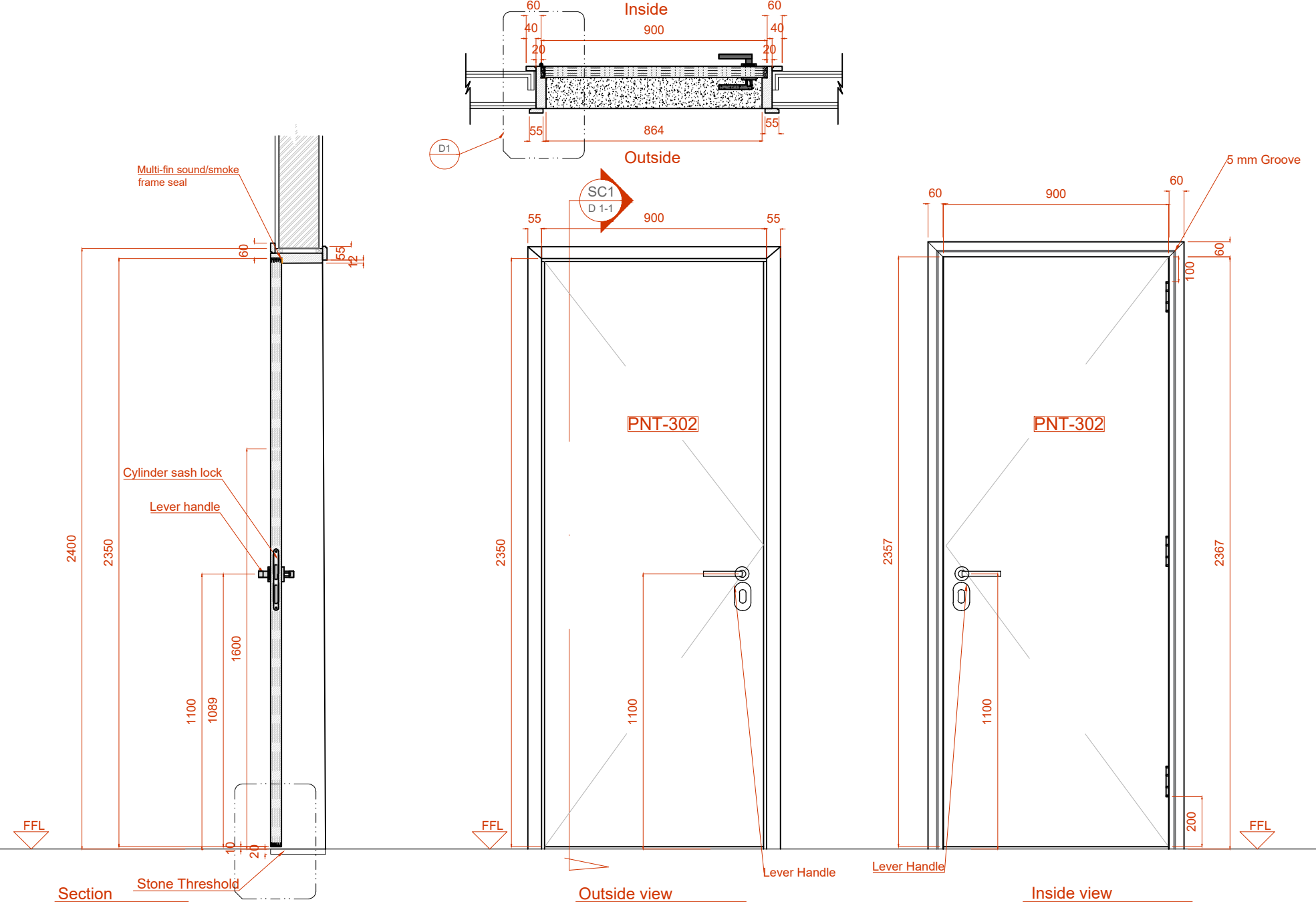


Approved with comments  
 Quantity and to be verified by joiner  
 Size to be verified on site



<b>D6</b>	ACC ELECT. doors		
Panel Size	900 mm W x 2350mm H x 56 mm thk		
Finish	Timber panel , Timber frame to match PNT-302		
Door leaf type	Single door, Single swing flush door		
Ironmongery & Accessories	Handle :Lever handle Front door handle Type 2	S/STEEL OR CHROME On BOH side	Black finish On FOH side
	Cylinder : Double cylinder grand masterkeyed	S/STEEL OR CHROME On BOH side	Black finish On FOH side
	Hinges Type 2 : Hinges with curved edges / SS finish	S/STEEL OR CHROME On BOH side	Black finish On FOH side
	Cylinder Escutcheon : Round Cylinder Escutcheons /SS finish	S/STEEL OR CHROME On BOH side	Black finish On FOH side
	Lock : Cylinder sash lock	S/STEEL OR CHROME On BOH side	Black finish On FOH side
Location	ACC ELECT. doors		
Total QTY	27		
Fire Rating	60 mins		
Acoustic	NA		
Remarks			

